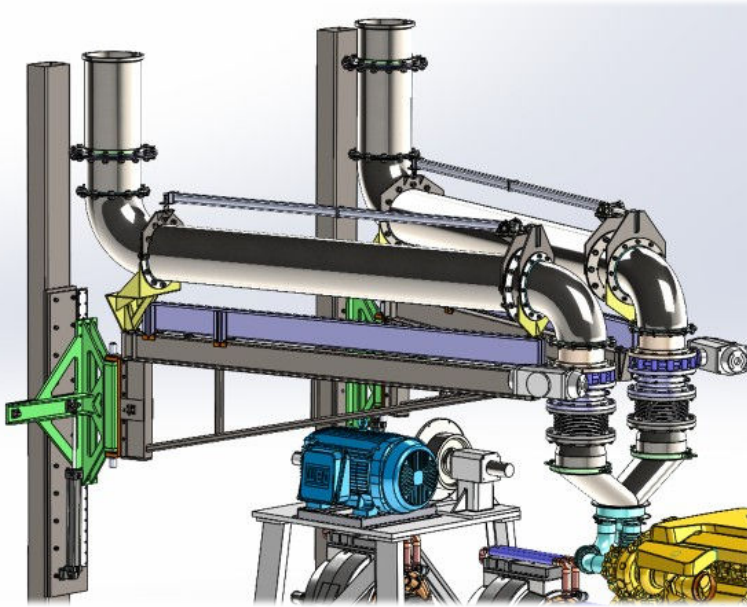


ARTICULATING EXHAUST ARM



OVERVIEW

Articulating exhaust arms are custom engineered to accommodate facility design and achieve required reach and flow capabilities. Articulating motion is fully automated in all directions.

KEY FEATURES

- Custom engineered for reach and flow rate capability
- Stress analyzed for rigidity
- Flexible solutions tailored to specific unit under test and customer facility
- Integrated with test cell controls for automation
- Turn-key system delivery
- Designed for wide range of pipe diameters
- Fully controlled by hydraulic linear actuators
- Sealed at translation points allowing for controlled exhaust pressures
- Incorporated custom engineered explosion relief vents protect system from damage