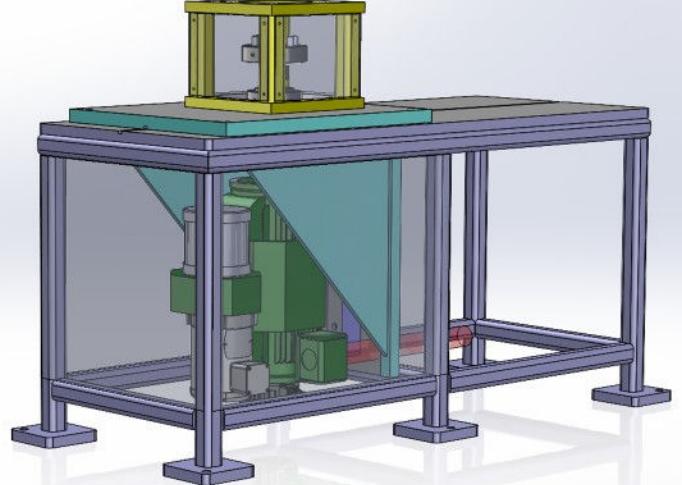
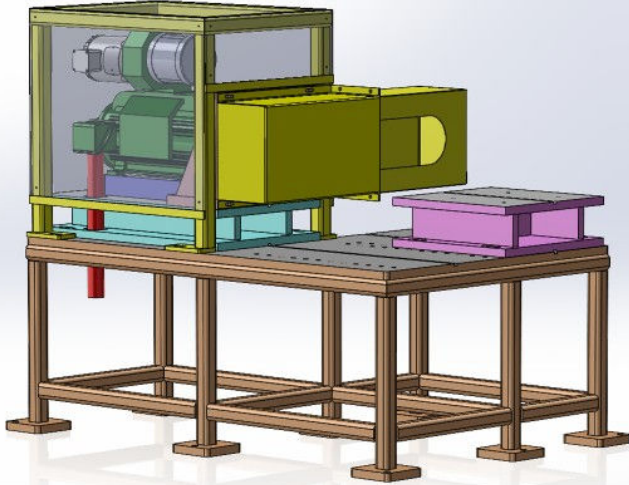


SMALL ENGINE TEST TABLE



OVERVIEW

Testing tables are a cost-efficient and highly flexible solution for small engine testing needs. Test tables are custom engineered to fulfill customer needs.

KEY FEATURES

- Custom engineered for required needs and performance
- Analyzed for proper load handling and rigidity
- Flexible solutions tailored to specific customer requirements
- Cost Effective
- Turn-key system delivery
- Accurate fixturing and coupling
- Stable and vibration resilient
- Flexible design offerings
- Horizontal + horizontal offset test
- Vertical + vertical offset test
- Simplifies test system